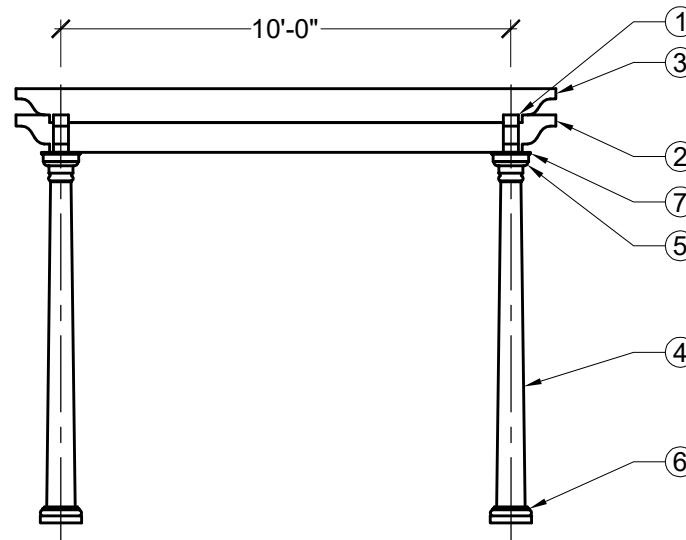


BILL OF MATERIAL

- ① 2 - TRB100 WITH 2-1"x1" ALUM TUBES ATTACHED TO EACH END
- ② 2 - TRB100
- ③ 9 - TRB101
- ④ 4 - CLM100-106S - Ø4½" STEEL PIPE WITH 2"x6"x¼" TOP PLATE & 5"x5"x¼" BOTTOM PLATE
- ⑤ 4 - CB100-144
- ⑥ 4 - CB100-145
- ⑦ 4 - KIT101

GENERAL NOTES:
 -SHIPPED UNASSEMBLED
 -ALL CUSTOM MANUFACTURED AND/OR MODIFIED STANDARD PRODUCTS ARE NON-RETURNABLE
 -PL PREMIUM ADHESIVE MUST BE USED ON ALL BEDDING/BUTT JOINTS



Confirm For Correctness
 & Fax Back Within 24 Hrs.
 To (204) 388-6710
 Your Signature: _____



© 2006, Spectis Moulders Inc. All rights reserved. This document may not be

SPECTIS MOULDERS INC.

P.O. BOX 970
 100 CEDAR DRIVE
 NIVERVILLE, MANITOBA
 CANADA R0A 1E0

PHONE: 204-388-6700
 PHONE: 800-685-9981
 FAX: 204-388-6710

BOX 479
 PEMBINA,
 NORTH DAKOTA
 58271-0479
 U.S.A

GENERAL NOTES:
 1. ALL PRODUCTS ARE DRAWN FOR PRESENTATION PURPOSES, ONLY IMAGE MAY VARY SLIGHTLY FROM ACTUAL PART
 2. DRAWING INTENT IS TO INDICATE GENERAL ARRANGEMENT, DESIGN AND INTENT OF WORK IS PARTLY DIAGRAMATIC.
 3. SPECTIS RESERVES THE RIGHT TO CHANGE ANY PRODUCT DESIGN WITHOUT

CUSTOMER NAME:		PART:	
STANDARD PRODUCT		TR1212B	
REFERENCE:		SHEET:	
TRELLIS KIT		01 OF 03	
DRAWN BY:	DATE:	SCALE:	REV:
JB/JK	03/21/16	5/256 = 1"	