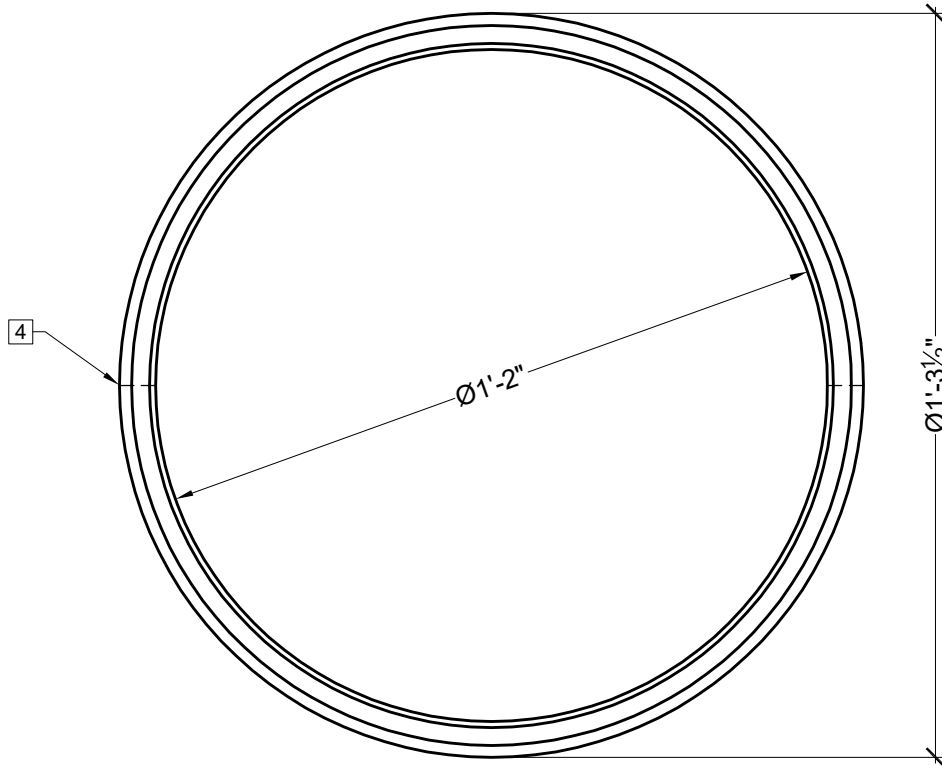
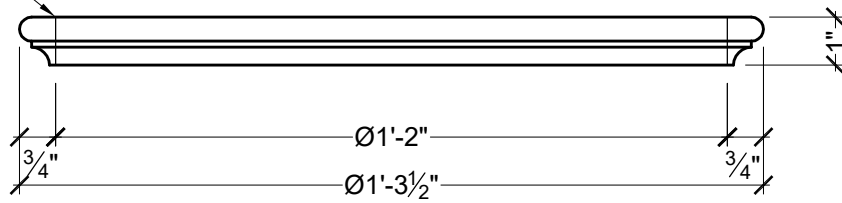


① 1 2 3



Confirm For Correctness
& Fax Back Within 24 Hrs.
To (204) 388-6710
Your Signature: _____

BILL OF MATERIAL

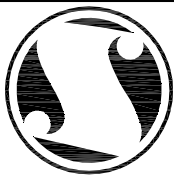
- ① NR-14 - NECK RING MADE OF POLYURETHANE.

OPERATIONS

- ① INTERIOR HOLLOW WITH OPEN TOP AND BOTTOM.
- ② UNFINISHED INTERIOR.
- ③ HOLE TO FIT Ø14" COLUMN SHAFT.
- ④ SHIPPED SPLIT WITH 1/4" LONG EXTENSION FOR FIELD TRIMMING.

GENERAL NOTES:

- ALL CUSTOM MANUFACTURED AND/OR MODIFIED STANDARD PRODUCTS ARE NON-RETURNABLE.
- SPECTIS ADHESIVE MUST BE USED ON ALL BEDDING/BUTT JOINTS.



SPECTIS™
MOULDERS INC.
Custom Polyurethane Products

BOX 479
PEMBINA,
NORTH DAKOTA
58271-0479

P.O. BOX 970
100 CEDAR DRIVE
NIVERVILLE, MANITOBA
CANADA R0A 1E0

PHONE: 204-388-6700
PHONE: 800-685-9981
FAX: 204-388-6710

GENERAL NOTES:

- 1. ALL PRODUCTS ARE DRAWN FOR PRESENTATION PURPOSES ONLY. IMAGE MAY VARY SLIGHTLY FROM ACTUAL PART
- 2. DRAWING INTENT IS TO INDICATE GENERAL ARRANGEMENT. DESIGN AND INTENT OF WORK IS PARTLY DIAGRAMMATIC.
- 3. SPECTIS RESERVES THE RIGHT TO CHANGE ANY PRODUCT DESIGN WITHOUT NOTICE.

CUSTOMER NAME: STANDARD PRODUCT		PART: NR-14	
REFERENCE: NECK RING		SHEET: 01 OF 01	
DRAWN BY: JK	DATE: 01/31/18	SCALE: ¼" = 1"	REV: