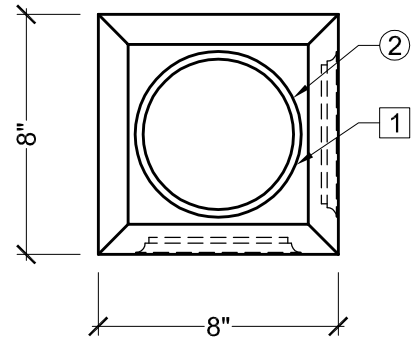
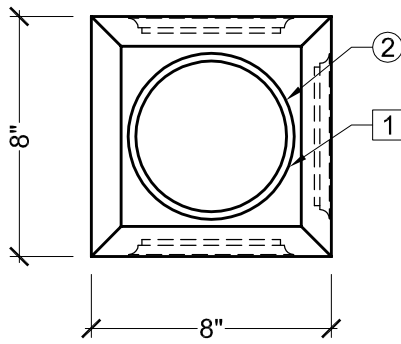


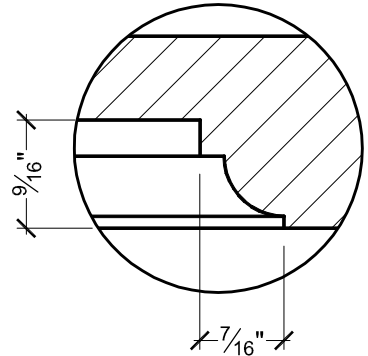
TOP VIEW OF STRAIGHT POST



TOP VIEW OF CORNER POST



TOP VIEW OF END POST



RECCES DETAIL
SCALE: 1" = 1"

BILL OF MATERIAL

- ① NP2211
- ② 5" PVC PIPE

OPERATIONS

- ① TOP OF NEWEL POST MANUFACTURE TO ACCEPT INSTALLATION HARDWARE

GENERAL NOTES:

-PL PREMIUM ADHESIVE MUST BE USED ON ALL BEDDING/BUTT JOINTS

SPECTIS MOULDERS INC.
 P.O. BOX 970
 100 CEDAR DRIVE
 NIVERVILLE, MANITOBA
 CANADA R0A 1E0
 PHONE: 204-388-6700
 PHONE: 800-685-9981
 FAX: 204-388-6710
 BOX 479
 PEMBINA,
 NORTH DAKOTA
 58271-0479
 U.S.A.

GENERAL NOTES:
 1. ALL PRODUCTS ARE DRAWN FOR PRESENTATION PURPOSES, ONLY IMAGE MAY VARY SLIGHTLY FROM ACTUAL PART
 2. DRAWING INTENT IS TO INDICATE GENERAL ARRANGEMENT, DESIGN AND INTENT OF WORK IS PARTLY DIAGRAMATIC.
 3. SPECTIS RESERVES THE RIGHT TO CHANGE ANY PRODUCT DESIGN WITHOUT NOTICE.

© 2006, Spectis Moulders Inc. All rights reserved. This document may not be used or duplicate without prior consent.

CUSTOMER NAME: STANDARD PRODUCT		PART: NP2211	
REFERENCE: NEWEL POST		SHEET: 01 OF 01	
DRAWN BY: JB	DATE: 11/26/07	SCALE: 5/32" = 1"	REV: