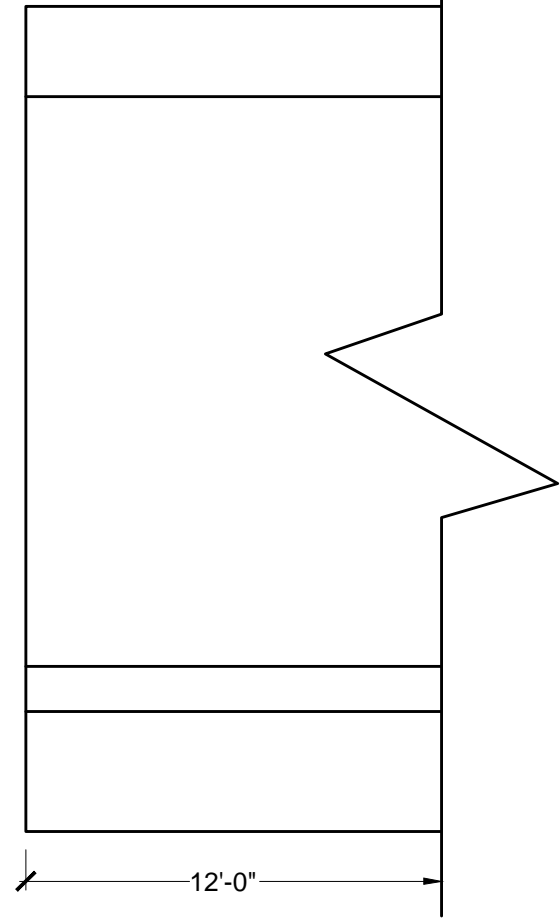


**BILL OF MATERIAL**  
 ① MD1918 - MOULDING MADE OF POLYURETHANE

**OPERATIONS**  
 ① UNFINISHED BACK



**GENERAL NOTES:**  
 -ALL CUSTOM MANUFACTURED AND/OR MODIFIED STANDARD PRODUCTS ARE NON-RETURNABLE

-SPECTIS ADHESIVE MUST BE USED ON ALL BEDDING/BUTT JOINTS

Confirm For Correctness  
 & Fax Back Within 24 Hrs.  
 To (204) 388-6710  
 Your Signature: \_\_\_\_\_



© 1998 Spectis Moulders Inc. All rights reserved. This document may not be used or duplicate without prior consent.

**SPECTIS MOULDERS INC.**  
 P.O. BOX 970  
 100 CEDAR DRIVE  
 NIVERVILLE, MANITOBA  
 CANADA R0A 1E0

PHONE: 204-388-6700  
 PHONE: 800-685-9981  
 FAX: 204-388-6710

BOX 479  
 PEMBINA,  
 NORTH DAKOTA  
 58271-0479  
 U.S.A

GENERAL NOTES:  
 1. ALL PRODUCTS ARE DRAWN FOR PRESENTATION PURPOSE, ONLY IMAGE MAY VARY SLIGHTLY FROM ACTUAL PART  
 2. DRAWING INTENT IS TO INDICATE GENERAL ARRANGEMENT, DESIGN AND INTENT OF WORK IS PARTLY DIAGRAMMATIC.  
 3. SPECTIS RESERVES THE RIGHT TO CHANGE ANY PRODUCT DESIGN WITHOUT NOTICE.

CUSTOMER NAME: STANDARD PRODUCT		PART: MD1918	
REFERENCE: MOULDING		SHEET: XX OF XX	
DRAWN BY: JK	DATE: 08/09/12	SCALE: 5/8" = 1"	REV: